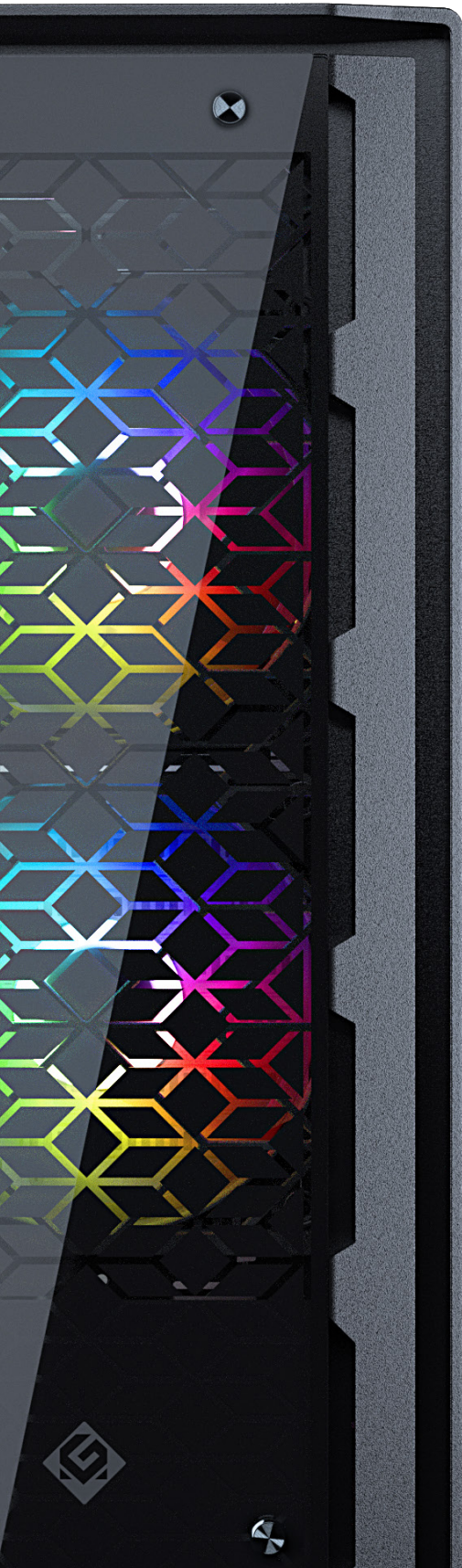


MG-NE520S
MG-NE520A
MG-NE520G

MANUAL - V1.2

INSTALLATION MANUAL

NEO-G



NEO AIR



NEO SILENT



 NEO

Thank you for choosing the MG NEO chassis. Please check your model type (NEO-G/Air / Silent) and take your time reading this manual before installing your system.

Check www.metallicgear.com for the latest information and manual version.

FANS & RADIATOR SUPPORT:

FRONT

2x 120
2x 140



REAR

1x 120



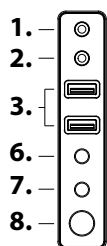
TOP

2x 120
2x 140

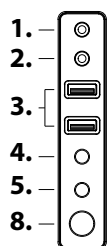


FRONT RADIATOR: 240rad: max 124x320 mm
280rad: max 144x320 mm

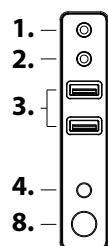
NEO-G



NEO AIR

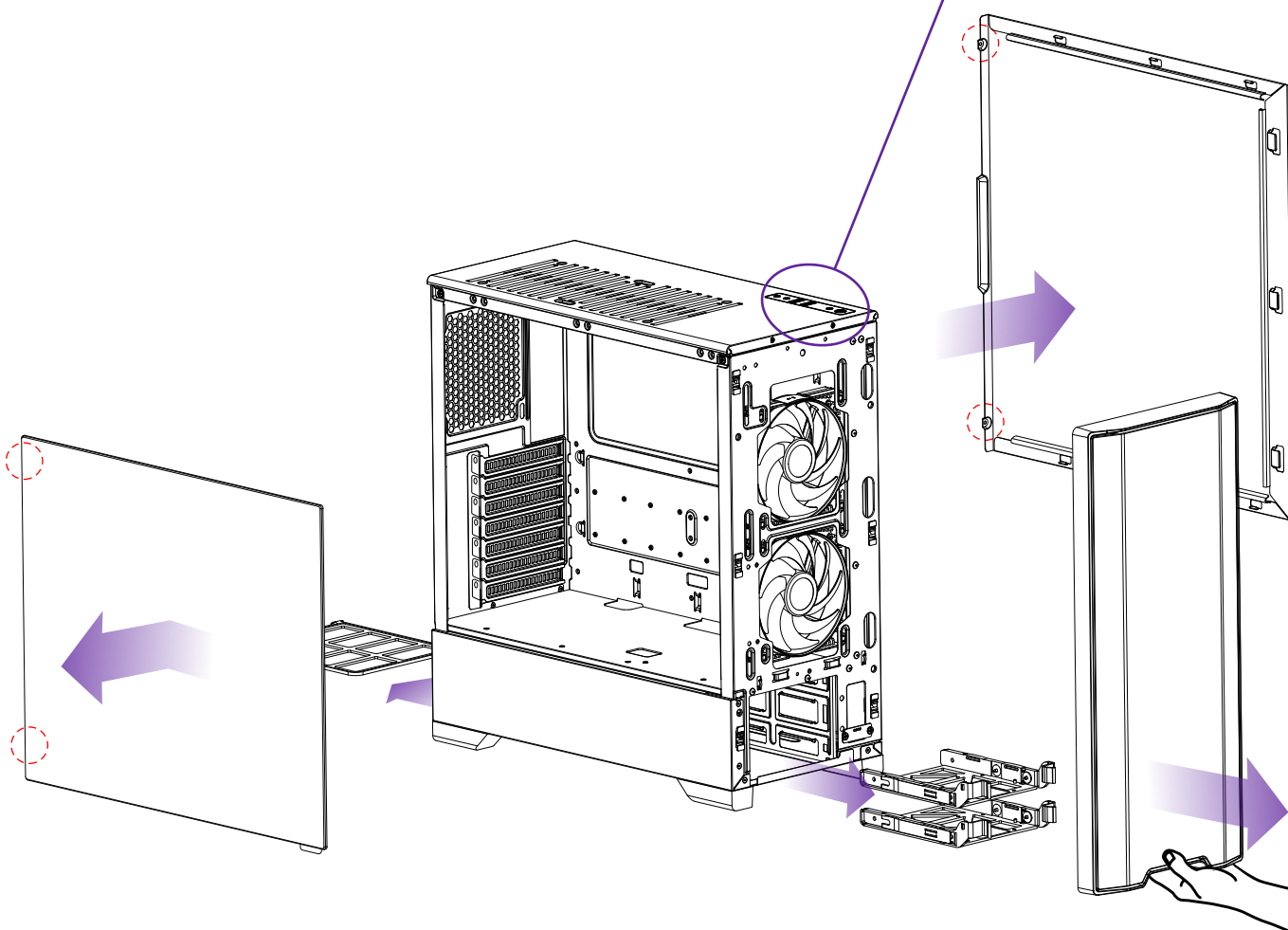


NEO SILENT



FRONT I/O:

1. Headphone
2. Microphone
3. 2x USB 3.0
4. Reset Button
5. RGB Color/Mode
6. D-RGB Mode
7. D-RGB Color
8. Power Button



ACCESSORIES

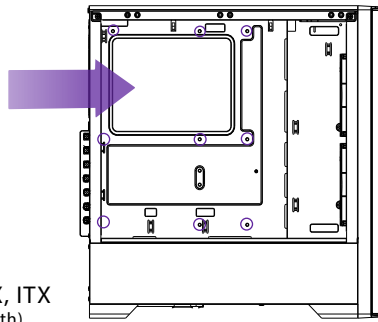
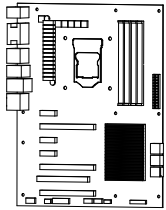
- 21x Motherboard/SSD screws
- 4x PSU 6-32 screws
- 8x Fans screws
- 1x Motherboard M4 stand-off
- 2x Long Thumb 6-32 screws
- 6x Zip ties

CLEARANCES

- | | |
|------------------------|--------|
| CPU Cooler height: | 170 mm |
| GPU length: | 400 mm |
| PSU length: | 250 mm |
| ATX Motherboard width: | 280 mm |
| Vertical GPU ready: | yes |

MOTHERBOARD

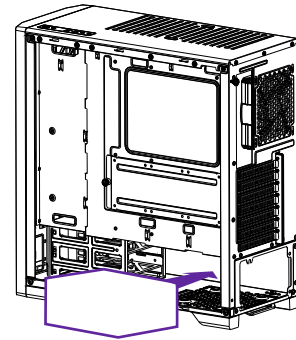
9x



Supports:
*E-ATX, ATX, m-ATX, ITX
(*E-ATX up to 280mm width)

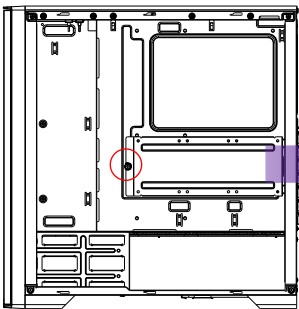
POWER SUPPLY

4x

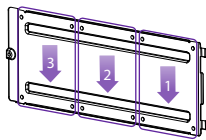


SSD

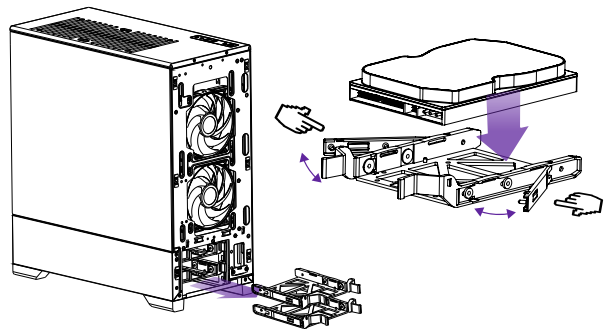
4x



Remove the SSD bracket first.

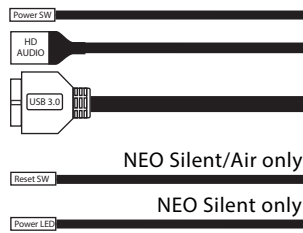


HDD



FRONT I/O CABLES

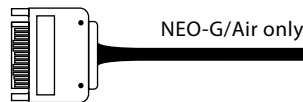
Connect to
Motherboard



NEO Silent/Air only

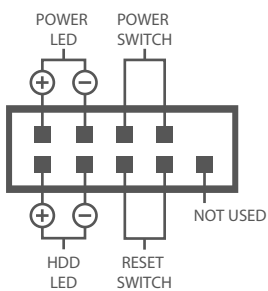
NEO Silent only

Connect to
Power Supply



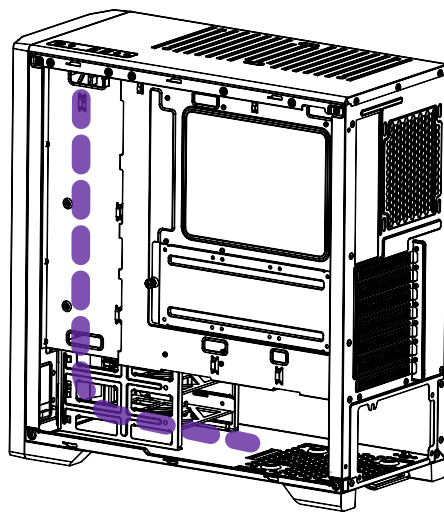
NEO-G/Air only

Motherboard header:



CABLE MANAGEMENT

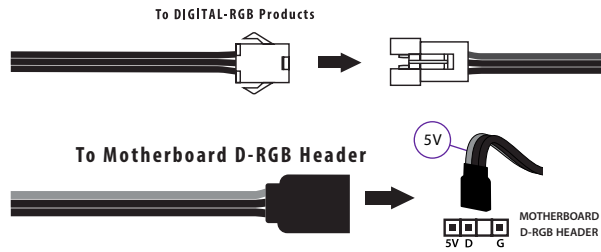
Use the velcro straps and zip ties to
tighten the cables.



(NEO-G and NEO AIR only)

NEO-G

D-RGB CABLES



D-RGB CONTROL

D-RGB Color Effects

Solid



Rainbow



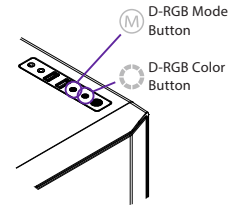
Breathing



Radar



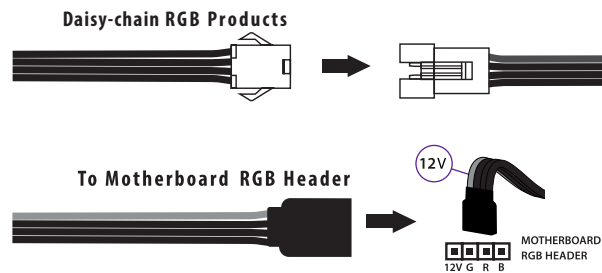
Sparkle



- Press and Hold the D-RGB Mode button to turn off/switch to motherboard control.

NEO AIR

RGB CABLES

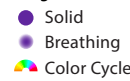


RGB CONTROL

- Short Press to change color:



- Long Press to change mode:



- Press and Hold to turn off/switch to motherboard control.

